

## Extraction Arm NEX HD

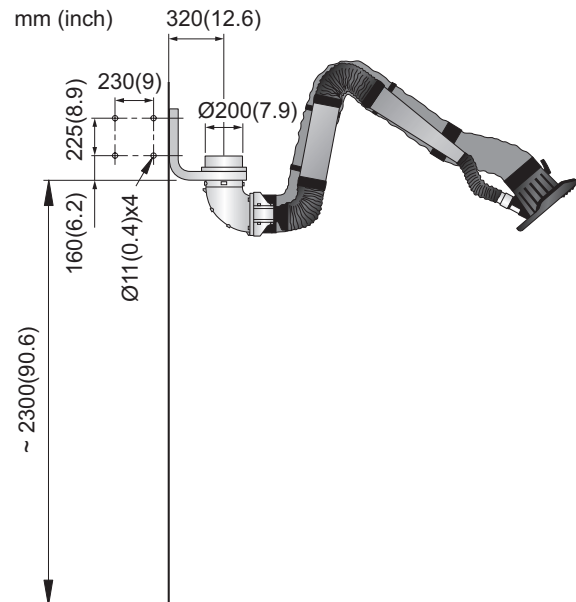


The Nederman NEX HD extraction arm is the top of the range arm when it comes to high airflows and extraction of media with higher temperatures than normal. The arm is specially designed for working environments with very heavy smoke, vapours or non explosive dust. The applications can be welding, laser or hand plasma cutting, metal spraying, grinding where lots of spatter is generated, or other industrial processes where a perfectly balanced and easily positioned arm is required.

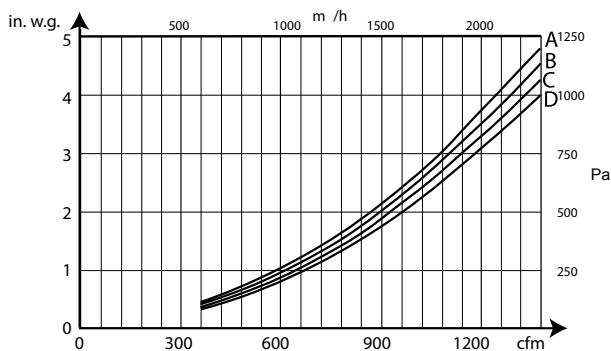
- Robust swivel, which allows the product to rotate 360°
- Support mechanism of the arms is encapsulated which protects against dirt
- Can be mounted in combination with different brackets, extension arms or on exhaust rails
- Equipped with a damper in the hood as standard
- The hose is easy to remove for cleaning
- Minimized pressure drop and a low noise level



### Dimensions



### Pressure drop



A: 5 m (16 1/2 ft.), B: 4 m (14 ft.), C: 3 m (10 ft.), D: 2 m (7 ft.)

### Technical data

Description	Reach, m (ft.)	Airflow, m <sup>3</sup> /h (cfm)	Connection Ø, mm (in.)	Max. fume temperature, °C (°F)	Noise level at hood, dB(A)	Weight, kg (lb.)	Part no.
NEX HD 2m (7 ft.)	2 (7)	1000-1900 (600-1100)	200 (8)	120 (250)	66	17 (37)	10560232
NEX HD 3m (10 ft.)	3 (10)	1000-1900 (600-1100)	200 (8)	120 (250)	63	21 (46)	10560332
NEX HD 4m (14 ft.)	4 (14)	1000-1900 (600-1100)	200 (8)	120 (250)	63	28 (62)	10560432
NEX HD 5m (16 1/2 ft.)	5 (16 1/2)	1000-1900 (600-1100)	200 (8)	120 (250)	63	33 (73)	10560532